

Photogrammetric measuring tools

Mars-2010



GEODESIE MAINTENANCE SERVICES
www.geodesie-maintenance.com

Table of contents

Retro reflective targets

Spherical target.....	3
Horizontal target.....	4
45 degree target.....	5
90 degree target.....	6
Flush mount target.....	7
Button target.....	8
Double vector target.....	9
45 degree double vector target.....	10

Retro reflective targets, magnetic

Spherical target.....	11
Horizontal target.....	12
Horizontal target for large diameters.....	13
45 degree target.....	14
90 degree target.....	15
Split bearing.....	16
Sphere mount.....	17
Custom targets.....	18

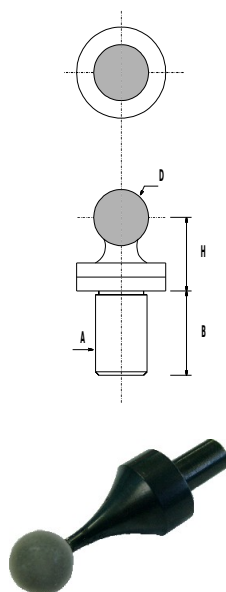
Adhesive targets

Single sheet with central do.....	19
Tape.....	20
Coded targets sheets.....	21

V-STARS

Auto centered feature targets.....	22
Feature targets for cylinders and edges.....	23
Coded targets on aluminium plate.....	24
Aluminium plate alone.....	24
Carbon scale bars.....	25
Accessories for scale bars.....	26
Pricing.....	27

Retro reflective, spherical



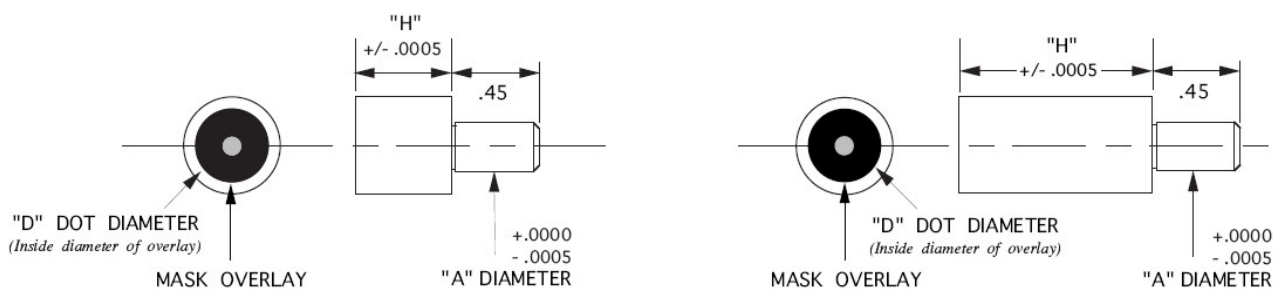
D	H	A
5mm	0,5"	0,25"
	10"	6"
8mm	0,5"	0,25"
		0,125"
10mm	12mm	6mm
	0,5"	0,25"
		1"
	20mm	12mm
8mm		
15mm	20mm	6mm
	20mm	8mm
15mm	35mm	8mm

Ordering information:

Reference: **SRR D H A**

GMS product

Retro reflective, horizontal targets



Available diameter:

D	0,2"	0,25"	0,375"	0,5"			
---	------	-------	--------	------	--	--	--

Available offset:

H	0,3125"	0,5"	1"	12mm	24mm		
---	---------	------	----	------	------	--	--

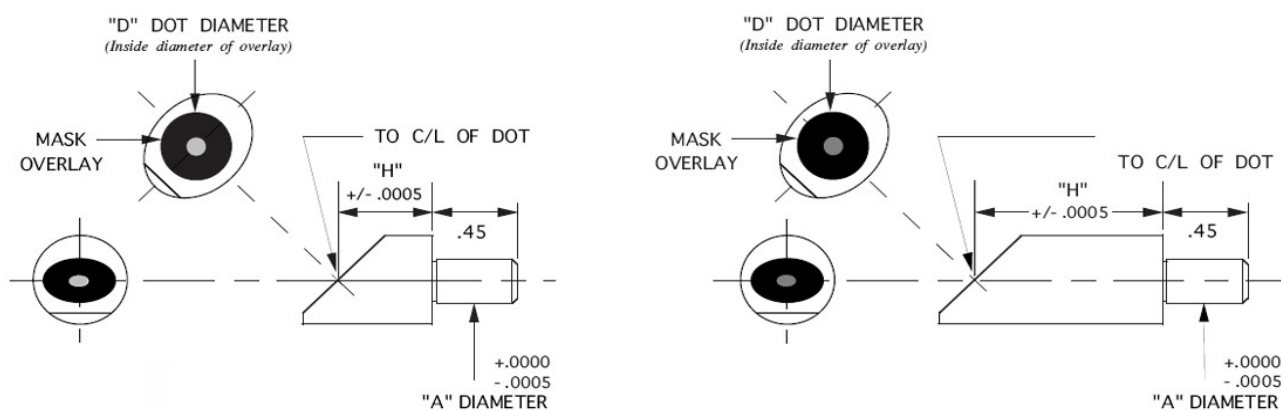
Available axis diameter:

A	0,125"	0,25"	6mm	8mm			
---	--------	-------	-----	-----	--	--	--

Ordering information:

Reference: **TSOR D H A**
HUBBS product

45 degree, retro reflective targets



Available diameter:

D	0,2"	0,25"	0,375"	0,5			
---	------	-------	--------	-----	--	--	--

Available offset:

H	0,5"	1"					
---	------	----	--	--	--	--	--

Available axis diameter:

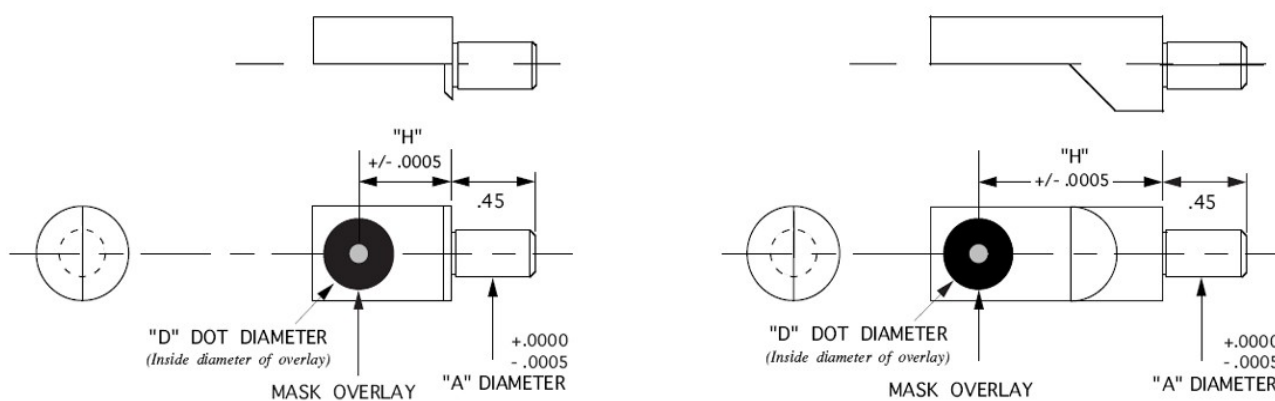
A	0,125"	0,25"	6mm	8mm			
---	--------	-------	-----	-----	--	--	--

Ordering information:

Reference: **T45R D H A**

HUBBS product

90 degree, retro reflective targets



Available diameter:

D	0,2"	0,25"	0,375"	0,5"			
---	------	-------	--------	------	--	--	--

Available offset:

H	0,5"	1"					
---	------	----	--	--	--	--	--

Available axis diameter:

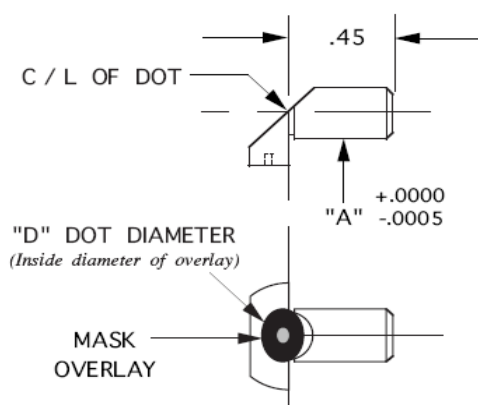
A	0,125"	0,25"	6mm	8mm			
---	--------	-------	-----	-----	--	--	--

Ordering information:

Reference: **T90R D H A**

HUBBS product

Flush mount, retro reflective targets



Available diameter:

D	0,2"	0,25"	0,375"	0,5"			
---	------	-------	--------	------	--	--	--

Available offset:

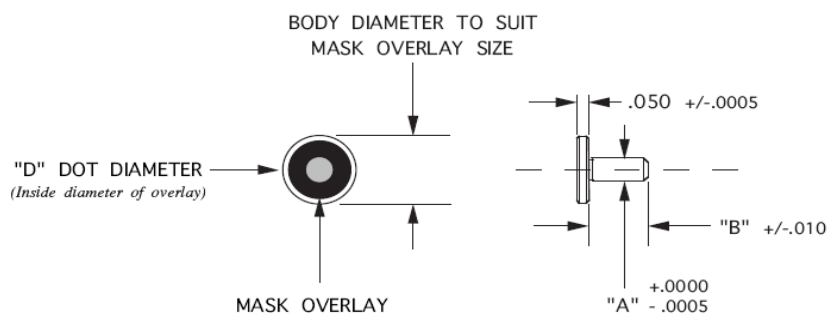
A	0,25"	0,5"	6mm	8mm			
---	-------	------	-----	-----	--	--	--

Ordering information:

Reference: **FMR** **D** **A**

HUBBS product

Button targets, retro reflective



Available diameter:

D	0,125"	0,2"	0,25"				
---	--------	------	-------	--	--	--	--

Available axis diameter:

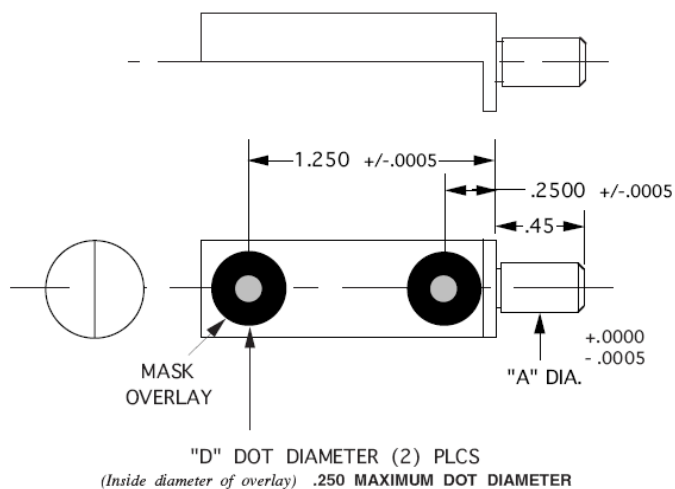
A	0,125"						
---	--------	--	--	--	--	--	--

Ordering information:

Reference: **TBR D**

HUBBS product

Double vector targets, retro reflective



Available diameter:

D	0,125"	0,2"	0,25"				
---	--------	------	-------	--	--	--	--

Available axis diameter:

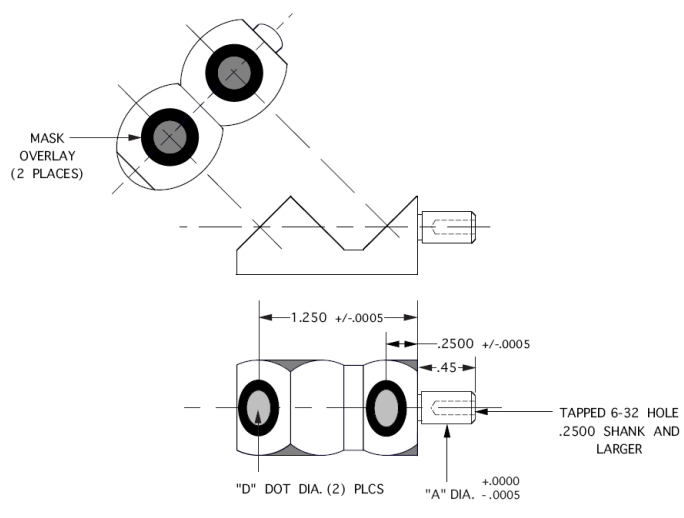
A	0,125"	0,25"	6mm	8mm			
---	--------	-------	-----	-----	--	--	--

Ordering information:

Reference: **DVTR D H**

HUBBS product

45 degree, double vector targets, retro reflective



Available diameter:

D	0,125"	0,2"	0,25"	0,375"			
---	--------	------	-------	--------	--	--	--

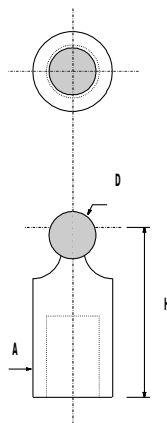
Available axis diameter:

A	0,125"	0,25"	6mm	8mm			
---	--------	-------	-----	-----	--	--	--

Ordering information:

Reference: **45DVTR D H**
 HUBBS product

Spherical, retro reflective, magnetic



Available diameter:

D	10mm							
---	------	--	--	--	--	--	--	--

Available offset:

H	30mm							
---	------	--	--	--	--	--	--	--

Available axis diameter:

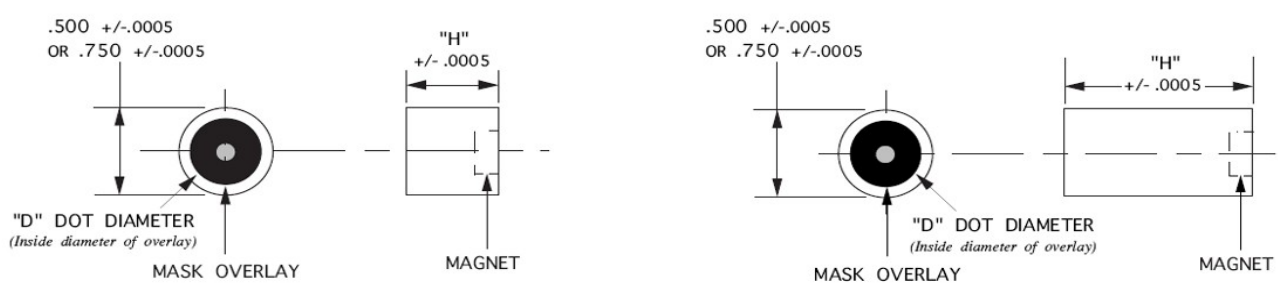
A	15mm							
---	------	--	--	--	--	--	--	--

Ordering information:

Reference: **SRRM D H A**

GMS product

Horizontal targets, retro reflective, magnetic



Available diameter:

D	0,2"	0,25"	0,375"	0,5"			
---	------	-------	--------	------	--	--	--

Available offset:

H	0,3125"	0,5"	1"	12mm	24mm		
---	---------	------	----	------	------	--	--

Available axis diameter:

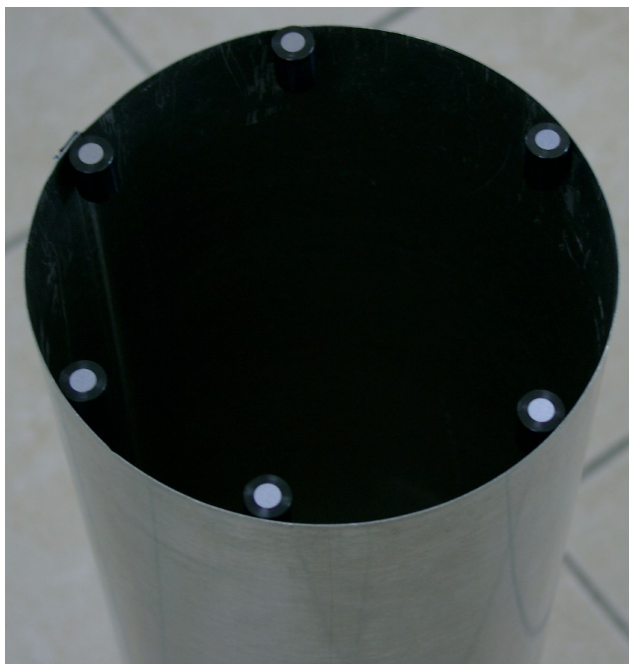
A	0,5"	075"					
---	------	------	--	--	--	--	--

Ordering information:

Reference: **TMR D H A**

HUBBS product

Horizontal targets, retro reflective, magnetic, for large diameters



Measuring a cylinder

Available diameter:

D	6mm							
---	-----	--	--	--	--	--	--	--

Available axis diameter:

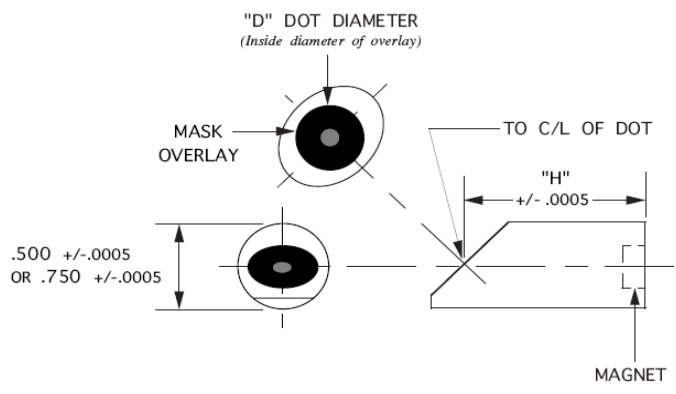
A	12mm							
---	------	--	--	--	--	--	--	--

Ordering information:

Reference: **LDMT D A**

GMS product

45 degree targets, retro reflective, magnetic



Available diameter:

D	0,2"	0,25"	0,375"	0,5"			
---	------	-------	--------	------	--	--	--

Available offset:

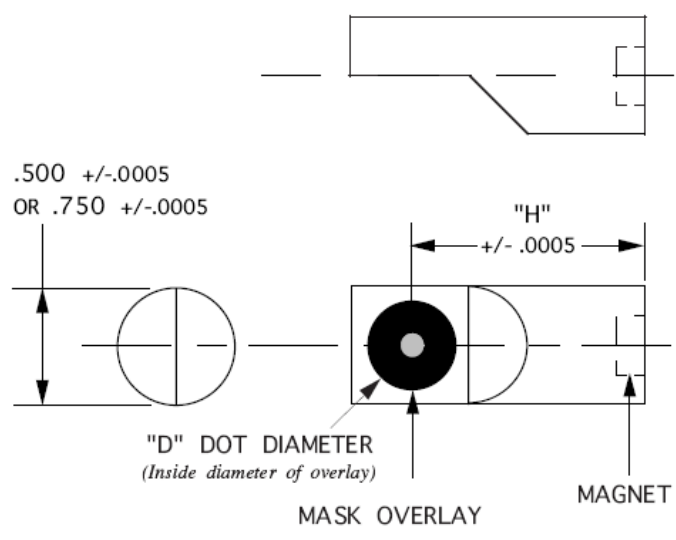
H	0,3125"	0,5"	1"	12mm	24mm'		
---	---------	------	----	------	-------	--	--

Ordering information:

Reference: **T45MR D H**

HUBBS product

90 degree targets, retro reflective, magnétic



Available diameter:

D	0,2"	0,25"	0,375"	0,5"			
---	------	-------	--------	------	--	--	--

Available offset:

H	0,3125"	0,5"	1"	12mm	24mm		
---	---------	------	----	------	------	--	--

Ordering information:

Reference: **T90MR D H**
HUBBS product

Split bearing, retro reflective



Available diameter:

D	0,2"	0,25"	0,375"	0,5"			
---	------	-------	--------	------	--	--	--

Available sphere diameter:

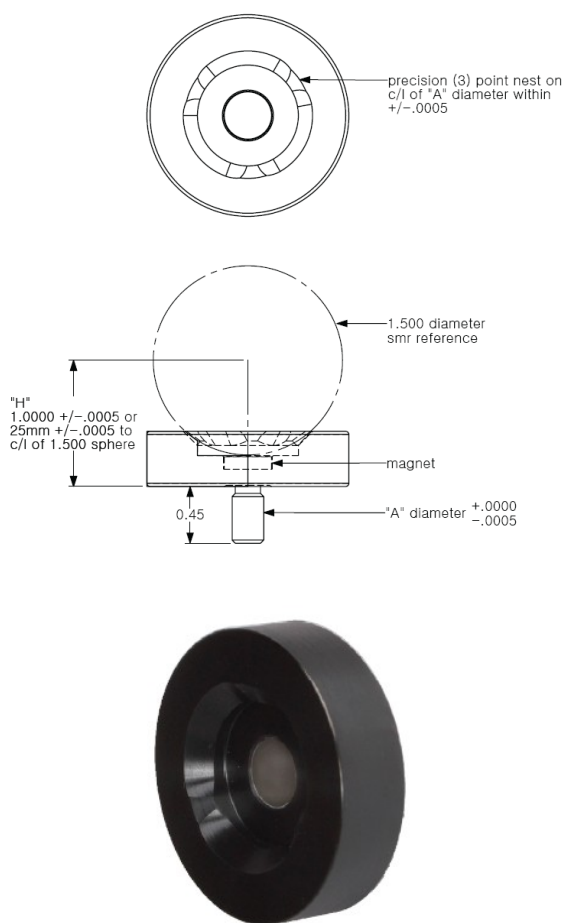
B	0,5"	1"	1,5"				
---	------	----	------	--	--	--	--

Ordering information:

Reference: **SBR B D**

HUBBS product

Sphere mount



Available sphere diameter:

1,5"							
------	--	--	--	--	--	--	--

Available offset:

H	1"	25mm					
---	----	------	--	--	--	--	--

Available axis diameter:

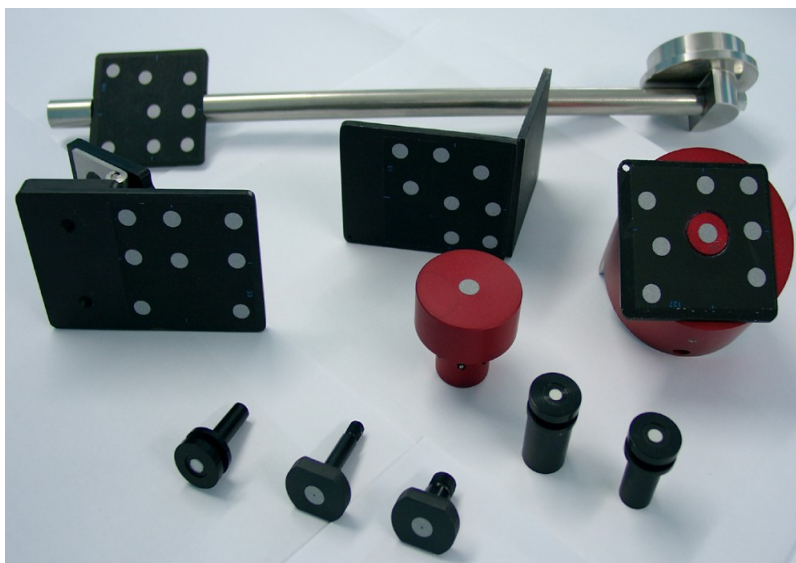
A	0,125"	0,25"	6mm	8mm			
---	--------	-------	-----	-----	--	--	--

Ordering information:

Reference: **1.5SM H A**

HUBBS product

Custom targets



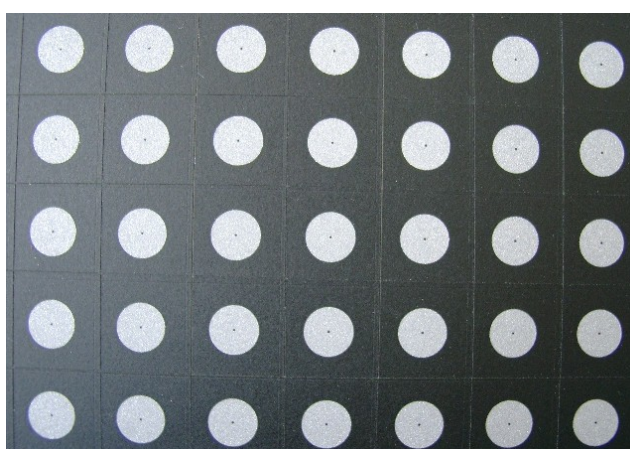
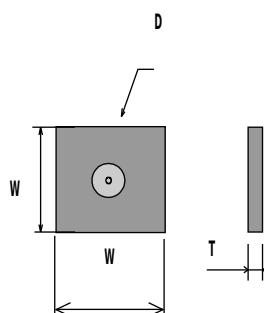
We support the definition, implementation and qualification of your tools for your specific needs:

- Plate made of aluminium or stainless steel
- Single and coded targets
- Qualification
- Feature targets calibration for V-STARS

For further information, contact us:

- Phone: 02-40-29-57-09
- E-mail: info@geodesie-maintenance.com

Single sheet with central dot, adhesive



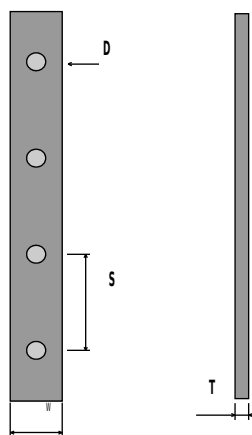
D(mm)	W(mm)	# Targets per sheet
3	9	525
6	15	120
8	15	120
10	20	75
12	25	48

Ordering information:

Reference: **RIT D**

GMS product

Tape, retro reflective, adhesive



D	S
0,16"	0,4"
0,2"	1"
	2"
	3"
	4"
0,25"	1"
	2"
	3"
	4"
	6"
0,37"	2"
	3"
0,5"	2"
	4"
0,75"	4"

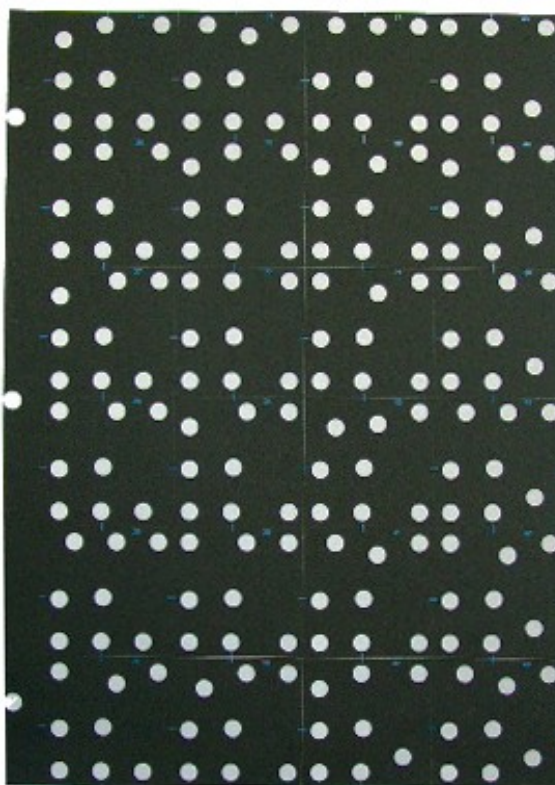
Length of tape: 45meters.

Ordering information:

Reference: **RTR D S**

HUBBS product

Coded targets sheet, retro reflective, adhesive



D(mm)	Coded target number per sheet						
3	1-88	89-132	133-220				
6	1-24	25-48	49-72	73-96	97-120	121-132	121-144
	145-168	169-192	193-216	217-240			
12	1-6	7-12	13-18	19-24	25-30	31-36	37-42
	43-48	49-54	55-60	61-66	67-72	73-78	79-84
	85-90	91-96	97-102	103-108	109-114	115-120	121-126
	127-132	133-138	139-144	145-150	151-156	157-162	163-168
	169-174	175-180	181-186	187-192	193-198	199-204	205-210
	211-216	217-222	223-228	229-234	235-240		

Ordering information:

Reference: **CT D N° Target**

GMS product

V-STARS – Auto centered feature targets



Available diameter:

D	2mm à 9mm	8mm à 14mm				
---	-----------	------------	--	--	--	--

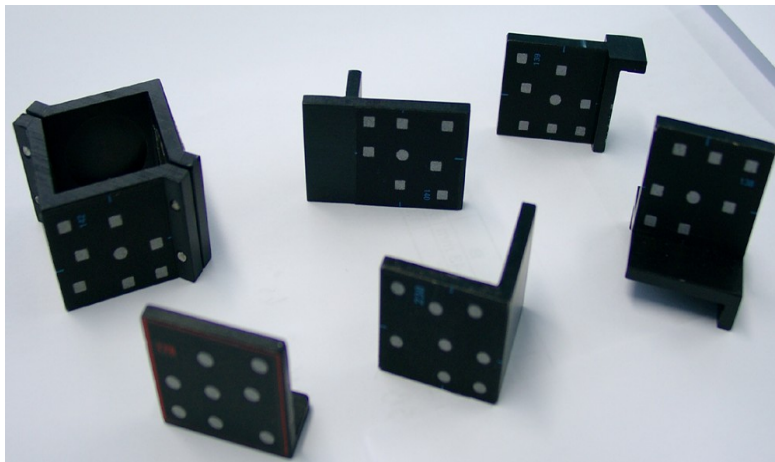
Ordering information:

Reference: **SCFT** **D**

GMS product

- These FT are supplied with V-STARS calibration files.
- Code choice
- Available in 3 and 6mm.

V-STARS – Feature targets for cylinders and edges

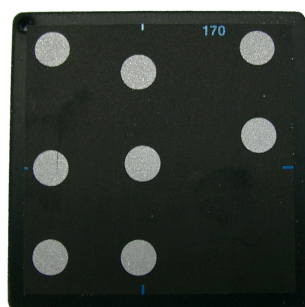


These devices are available in 3 and 6mm coded targets, and are specific to V-STARS applications.

For further informations, you can contact us:

- Phone: 02-40-29-57-09
- E-mail: info@geodesie-maintenance.com

V-STARS – Coded targets on aluminium plate



With magnet

Target diameter	Plate dimension
3mm	30mm x 30mm
6mm	52mm x 52mm

Ordering information:

Reference: **CT** **D** **AL** **M**(magnetic,optional) **N° Code**(voir page 21)

GMS product

The box contains 96, 6mm targets

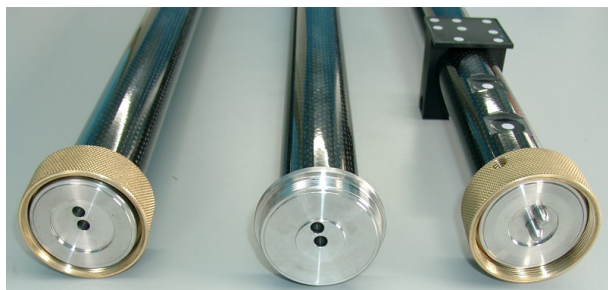
Aluminium plate alone

Ordering information:

Reference: **AL** **D** **M**(magnetic,optional)

GMS product

Carbon scale bar



Designation	Model	Length
1m section, 2 codes	1m	1*1m
2m section, 2 codes	2m	1*2m
2m section, removable, 4 codes	2md	2*1m
3m section, removable, 6 codes	3md	3*1m

Calibration:

GMS ou LNE

Ordering information:

Reference: **CSB** **Model** **Calibration**

GMS product

Scale bar accessories

Scale bar accessories for a safe transport:

- PELICASE 1720 suitcase
- PELICASE Insert foam

- GMS large 3B suitcase
- GMS medium 2B suitcase
- GMS Insert foam

Pricing

Retro reflective, spherical targets				
SRR				61,00€
Horizontal targets, retro reflective				
TSOR	D	H	A	
TSOR	0,25"	0,5"	0,25"	24,00 €
TSOR	0,5"	0,5"	0,25"	30,00 €
TSOR	0,25"	12mm	6mm	24,00 €
TSOR	0,25"	1"	0,25"	30,00 €
TSOR	0,5"	1"	0,25"	35,00 €
TSOR	0,25"	24mm	6mm	30,00 €
45 degree targets, retro reflective				
T45R	D	H	A	
T45R	0,25"	0,5"	0,25"	43,00 €
T45R	0,5"	0,5"	0,25"	49,00 €
T45R	0,25"	12mm	6mm	43,00 €
T45R	0,25"	1"	0,25"	51,00 €
T45R	0,5"	1"	0,25"	57,00 €
T45R	0,25"	24mm	6mm	57,00 €
90 degree targets, retro reflective				
T90R	D	H	A	
T90R	0,25"	0,5"	0,25"	41,00 €
T90R	0,5"	0,5"	0,25"	47,00 €
T90R	0,25"	12mm	6mm	41,00 €
T90R	0,25"	1"	0,25"	49,00 €
T90R	0,5"	1"	0,25"	55,00 €
T90R	0,25"	24mm	6mm	49,00 €
Flush mount targets, retro reflective				
FMR	D	A		
FMR	0,125"	0,25"		53,00 €
Button targets, retro reflective				
TBR	D			
TBR	0,2"			10,00 €

Double vector targets, retro reflective			
DVTR	D	H	
DVTR	0,25"	0,25"	85,00 €
45 degree double vector, retro reflective			
45DVTR	D	H	
45DVTR	0,25"	0,25"	120,00 €
Split bearing, retro reflective			
SBR	B	D	
SBR	0,5"	0,25"	50,00 €
SBR	1"	0,5"	100,00 €
SBR	1,5"	0,5"	150,00 €
Spherical target retro reflective, magnetic			
SRRM			61,00€
Horizontal targets, retro reflective, magnetic			
TMR			33,40€
Horizontal targets, retro reflective, magnetic for large diameters			
LDMT			35,00 €
45 degree targets, retro reflective, magnetic			
T45MR			60,00 €
90 degree targets, retro reflective, magnetic			
T90MR			60,00 €
Single sheet with central dots, retro reflective, adhesive			
RIT	D		
RIT	3		
First 20 sheets			847,00€
Following 20 sheets			382,00€
RIT	6 - 8		
First 20 sheets			706,00€
Following 20 sheets			314,00€
RIT	10		
First 20 sheets			660,00€
Following 20 sheets			298,00€
RIT	12		
First 20 sheets			612,40€
Following 20 sheets			283,00€

Tape, retro reflective, adhesive			
RTR	D	S	
RTR	0,16"	0,4"	165,00 €
RTR	0,2"	1" to 4"	165,00 €
RTR	0,25"	1" to 6"	198,00 €
RTR	0,37"	2" to 6"	198,00 €
RTR	0,5"	1" to 4"	260,00 €
Coded targets sheets, retro reflective, adhesive			
CT	D	Target number	
CT	3	-	40,00 €
CT	6	-	40,00 €
CT	12	-	40,00 €
V-STARS Auto centered feature targets			
SCFTD	D		
SCFTD	3		120€
SCFTD	6		120€
V-STARS Coded targets on aluminium plate			
CT	D	M(magnétique)	
CT	3	No	5,00€
CT	3	Yes	7,00€
CT	6	No	5,00€
CT	6	Yes	7,00€
96 coded targets box:			60,00€
Aluminium plate alone			
AL	D	M(magnétique)	
CT	3	No	4,00€
CT	3	Yes	6,00€
CT	6	No	4,00€
CT	6	Yes	6,00€

Carbon scale bar		
CSB-1M-GMS, 2 CT, without suitcase		1698,00€
- GMS 2B suitcase		+220,00 €
- Insert foam		+100,00 €
		Total: 2018,00€
Calibration	LNE	600,00€
	GMS	450,00 €
CSB-2M-GMS, 2 CT, without suitcase		2366,50€
- GMS 2B suitcase		+220,00 €
- Insert foam		+100,00 €
		Total: 2685,50 €
Calibration	LNE	600,00€
	GMS	400,00€
CSB-2MD-GMS, 4 CT, without suitcase		2695,00 €
- GMS 2B suitcase		+220,00 €
- Insert foam		+100,00 €
		Total: 3015,00 €
Calibration	LNE	600,00€
	GMS	450,00€
CSB-3MD-GMS 6 CT, without suitcase		3532,00 €
- PELICASE 1720 or GMS 3B suitcase		+240,00 €
- Insert foam		+120,00 €
		Total: 3892,00€
Calibration	LNE	900,00€
	GMS	600,00€
Scale bar accessories		
PELICASE 1720 suitcase		240,00 €
Insert foam PELICASE		120,00 €
GMS 3B suitcase		240,00 €
GMS 2B suitcase		220,00 €
Insert foam GMS		100,00 €